

Mounting Structure



The mounting structure features a flexible design that allows external sensors to be easily added or removed based on the specific requirements of meteorological applications. It serves as a robust mechanical platform where multiple sensors can be integrated to measure parameters such as irradiance, ambient temperature, module temperature, wind speed and direction, relative humidity, air pressure, and precipitation. A pyranometer can also be connected directly. In compact stations, all sensor connections can be routed to the Sensor Box.

For specialized needs, the irradiance sensor can be configured in one, dual-, triple-, or four-directional setups. The system is designed for fast and straightforward installation, offering high structural strength. The structure material is stainless AISI304 steel.

SEVEN develops reliable, high-quality solutions to deliver accurate meteorological data for environmental and industrial applications. This system is specifically engineered to meet the monitoring requirements of PV plants.



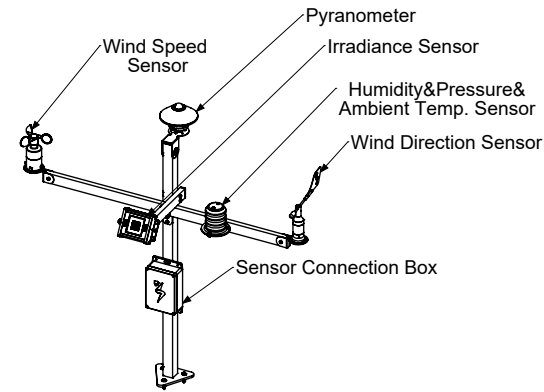
Benefits and Features

- Fast & Simple to Install
- 2 Year Warranty
- SEVEN Customer Support
- Selection of Sensors to be Mounted
- Compact Flexible Design

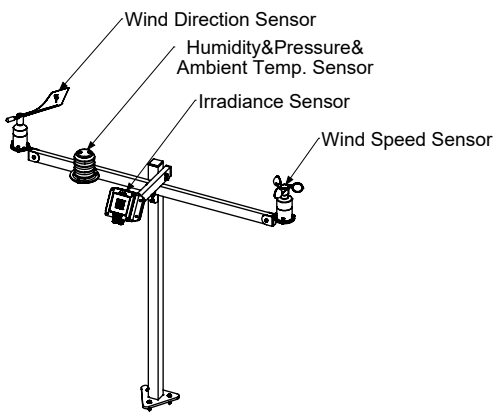
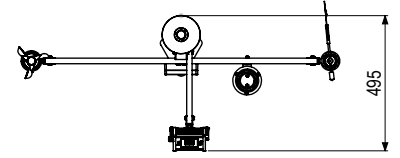
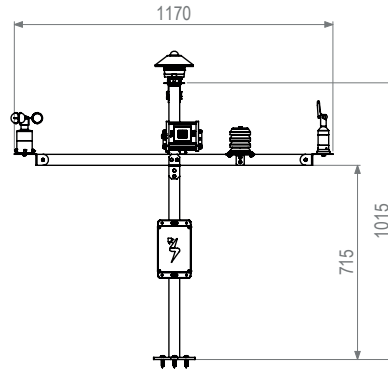
Technical Specifications

Mountable sensors	Irradiance Sensor (up to 4 plane of array), Horizontal Irradiance Sensor / Pyranometer, Ambient Temperature Sensor, Relative Humidity Sensor, Wind Speed Sensor, Wind Direction Sensor
Height	1015 - 1070 mm (varies depending on the connected sensors and brackets)
Weight	6,2 - 8,7 kg (varies depending on the connected sensors and brackets)
Structure Material	AISI 304 stainless steel
Origin	TÜRKİYE

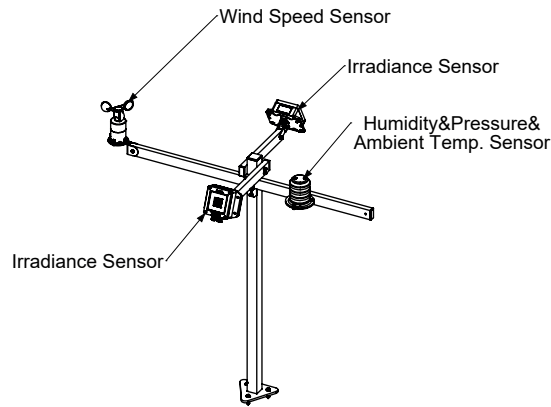
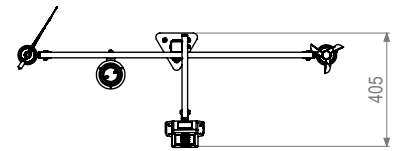
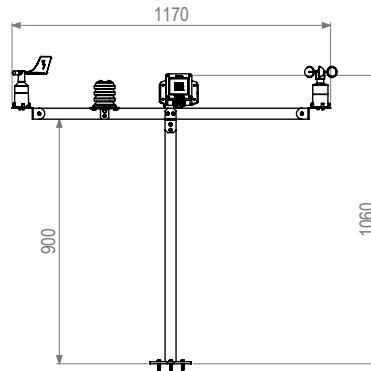
Technical Drawings



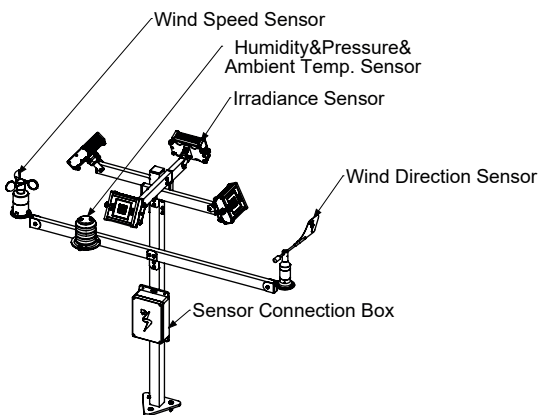
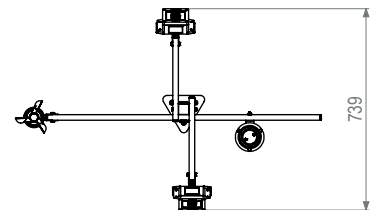
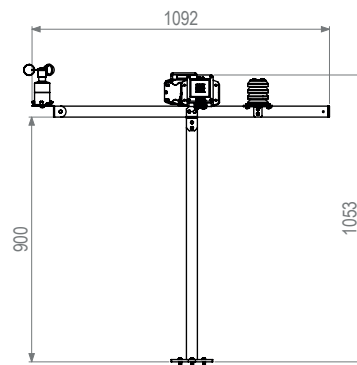
Option 1



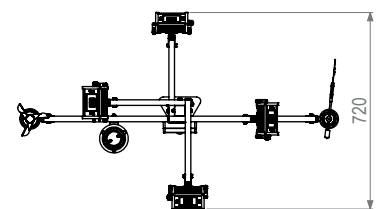
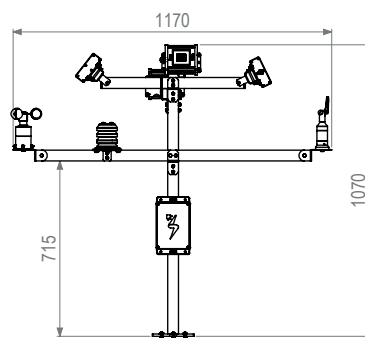
Option 2



Option 3



Option 4



Note: All dimensions are in mm.